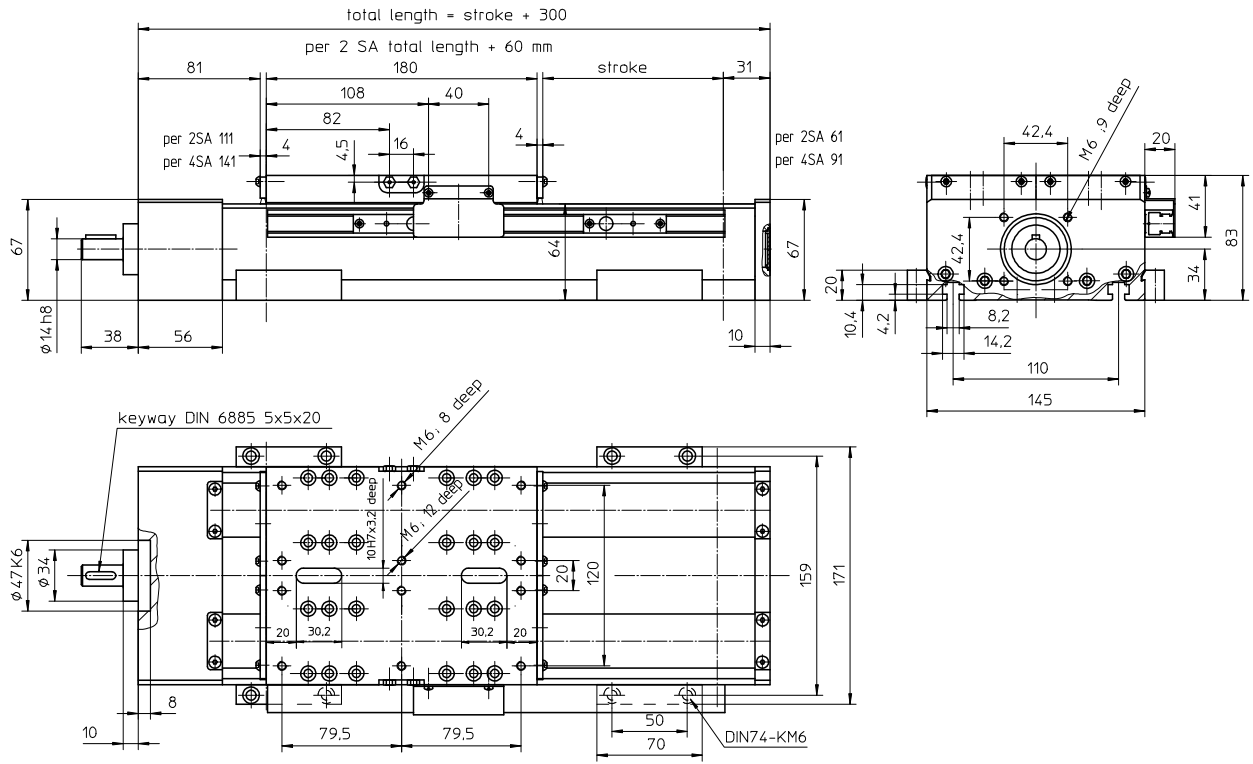


with ball screw and integrated double linear guide



Weights

Basic length, no stroke:
100 mm stroke:
Carriage:
Idle torque:

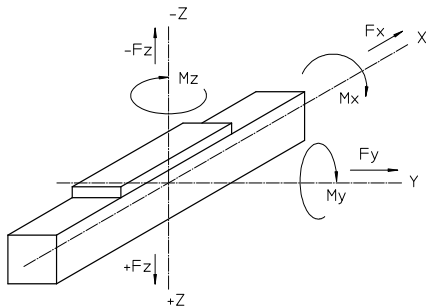
SSS

13.50 kg
1.50 kg
5.80 kg
1.10 Nm

Technical data

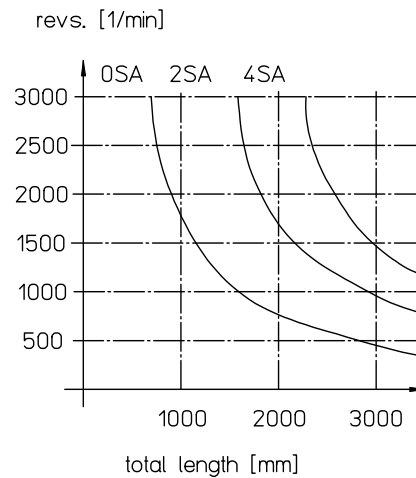
Linear speed: 0.1 - 2.5 m/s **
Repeatability: ± 0.03 mm (ball screw)
Acceleration: max. 20 m/s²
Mass inertia: 2.1 kgcm²/m
Drive element: **ball screw drive:**
diameter: 25 mm
pitch: 5, 10, 25, 50 mm
Total length: up to 2000 mm

Loads and load moments



Type	with linear guide (SSS)
Load	dynamic [N]
F_x	6000
F_y	2500
F_z	5000
-F_z	3000
Load moment	dynamic [Nm]
M_x	800
M_y	1000
M_z	1000

Screw supports SA



** max. data for ball screw 2550