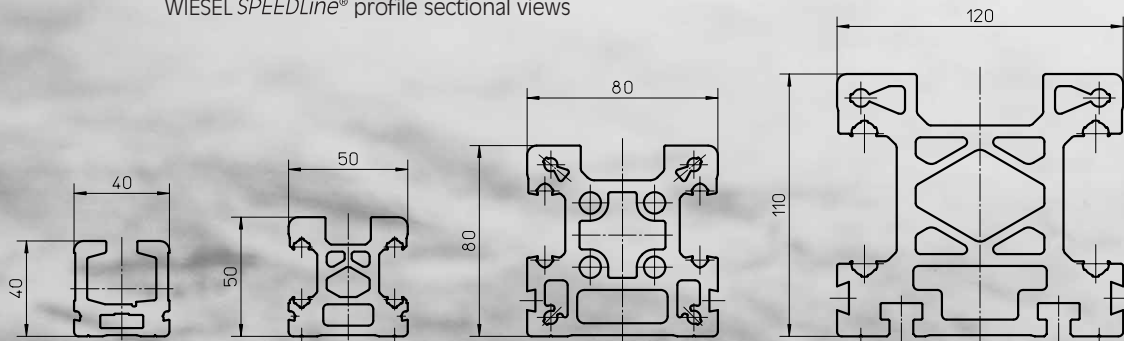


WIESEL *SPEEDLine*® profile sectional views



Tolerances of outer dimensions according to DIN 17615 part 3



