

Accessories

Ball screw nuts

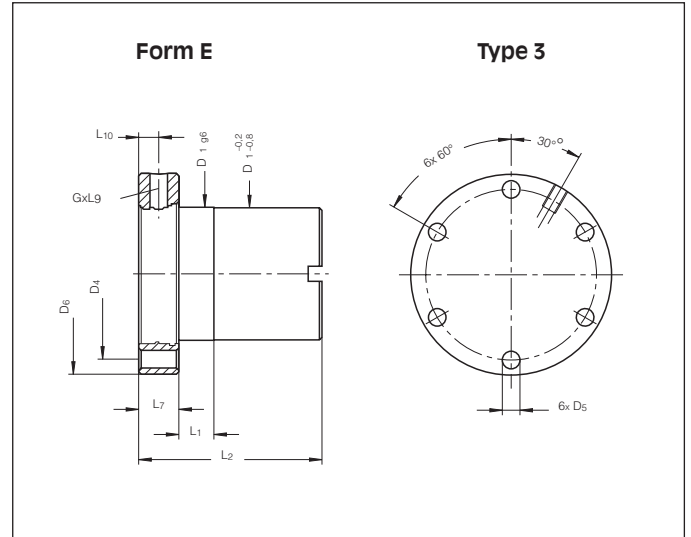
Flanged ball screw nut KGF

Flanged ball screw nut with mounting and lubrication holes and with profiled gaskets (reduces lubricant leakage and prevents ingress of dirt particles) for ball screw KGS.

Material:
16 MnCr 5.

Zero-backlash units KGT-FF/KGT-MM/KGT-FM

Factory adjusted and assembled combinations of two cylindrical nuts (MM), two flanged nuts (FF) or one flanged and one cylindrical nut (FM). Only available as screw mechanism, i.e. nut preassembled on the corresponding ball screw.



Size	Product/ Diameter [mm]/ Pitch [mm]/	Dimensions [mm]												Max.- axial backlash [mm]	Number of reversals	Load rating [kN] ¹⁾		
		D ₁	D ₄	D ₅	D ₆	L ₁	L ₂	L ₄	L ₅	L ₇	L ₉	L ₁₀	G			C ¹⁾	C ²⁾	C ₀ = C _{0a}
MULI 1	KGF 1605 RH-EE ³⁾	28	38	5.5	48	8	44	15	20	12	8	6	M6	0.08	3	12.0	7.0	12.7
MULI 2	KGF 2005 RH-EE ³⁾	32	45	7	55	8	44	15	20	12	8	6	M6	0.08	3	14.0	8.0	17.0
MULI 3	KGF 2505 RH-EE ³⁾	38	50	7	62	8	46	20	25	14	8	7	M6	0.08	3	15.0	9.5	22.4
MULI 4	KGF 4005 RH-EE ³⁾	53	68	7	80	10	59	20	25	16	8	8	M6	0.08	5	26.0	19.0	63.5
MULI 4	KGF 4010 RH-EE ³⁾	63	78	9	95	10	73	20	25	16	8	8	M8x1	0.08	3	50.0	30.0	70.0
MULI 5	KGF 5010 RH-EE ³⁾	72	90	11	110	10	97	20	25	18	8	9	M8x1	0.08	5	78.0	55.0	153.0
JUMBO 3	KGF 8010 RH-EE ³⁾	105	125	14	145	10	101	20	25	22	8	11	M8x1	0.08	5	93.0	69.0	260.0

1) Dynamic load rating to DIN 69051 Part 4, draft version 1978.

2) Dynamic load rating to DIN 69051 Part 4, draft version 1989.

3) EE = rubber wiper

Adapter for attachment of the second bellows

Version R only

