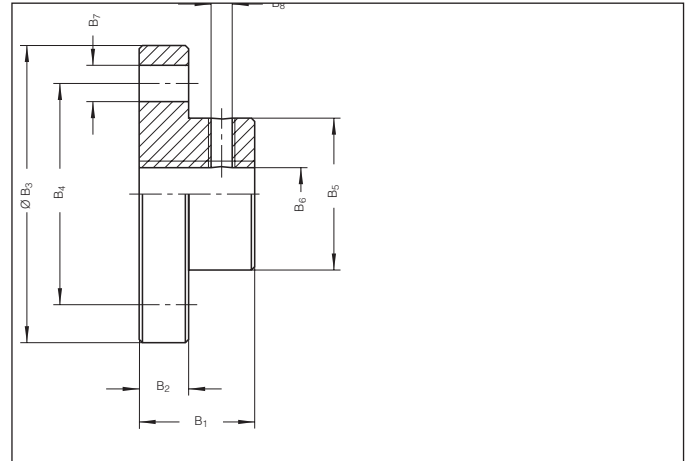


Accessories Attachments

Top plate BP

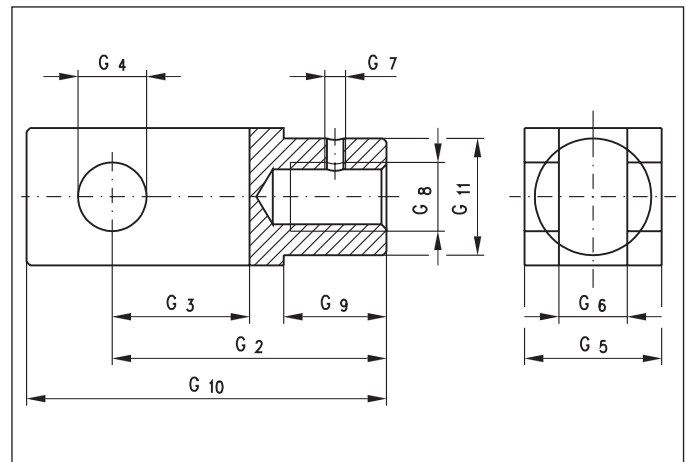
Screwed onto the mounting thread of the jack screw and protected against rotation.



Size	Dimensions [mm]								Weight [kg]	Ident No.
	B ₁	B ₂	∅ B ₃	B ₄	B ₅	B ₆	B _{7x4}	B ₈		
BP MULI 1	20	7	65	48	29.3	M12	9	M5	0.2	9204400008
BP MULI 2	21	8	80	60	38.7	M14	11	M6	0.3	9204400009
BP MULI 3	23	10	90	67	46	M20	11	M8	0.6	9204400010
BP MULI 4	30	15	110	85	60	M30	13	M8	1.2	9204400011
BP MULI 5	50	20	150	117	85	M36	17	M10	4.8	9204400012
BP JUMBO 1	50	25	170	130	90	M48x2	21	M10	5	9204400013
BP JUMBO 2	60	30	200	155	105	M56x2	25	M12	7.7	9204400014
BP JUMBO 3	60	30	220	170	120	M64x3	25	M12	9.8	9204400015
BP JUMBO 4	80	40	260	205	145	M72x3	32	M12	18.4	9204400016
BP JUMBO 5	120	40	310	240	170	M100x3	38	M12	29.6	9204400017

Fork end GA

Screwed onto the mounting thread of the jack screw and protected against rotation. Supplied with split pins and collar pins. Galvanized.



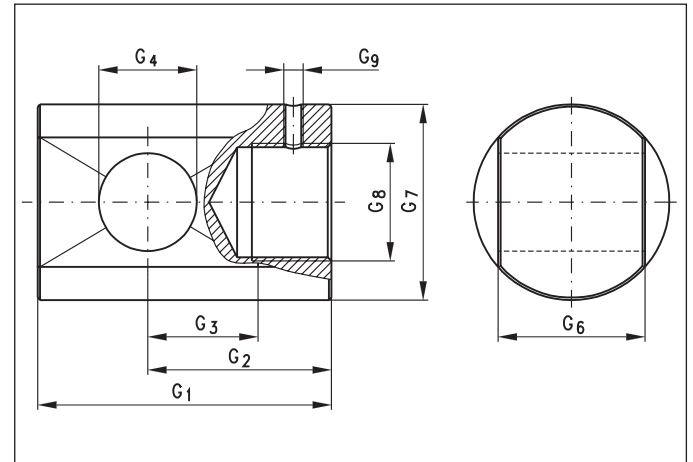
Size	Dimensions [mm]										Weight [kg]	Ident No.
	G ₂	G ₃	G _{4H9}	G _{5□}	G _{6B12}	G ₇	G ₈	G ₉	G ₁₀	G ₁₁		
GA MULI 1	48	24	12	24	12	115	M12	18	62	20	0,15	9204350023
GA MULI 2	56	28	14	28	14	116	M14	22	72	24,5	0,2	9204350024
GA MULI 3	80	40	20	40	20	118	M20	30	105	34	0,8	9204350025
GA MULI 4	120	60	30	60	30	118	M30	43	160	52	2,5	9204350026
GA MULI 5	144	72	35	70	35	1110	M36	40	188	60	3,8	9204350027

Accessories

Attachments

Clevis end GK

Screwed onto the mounting thread of the jack screw and protected against rotation.



Size	Dimensions [mm]								Weight [kg]	Ident.-No.
	G ₁	G ₂	G ₃	G ₄ H8	G ₆ H10	G ₇	G ₈	G ₉		
GK MULI 1	55	40	15	10	15	30	M12	115	0,2	9204350016
GK MULI 2	63	45	18	12	20	39	M14	116	0,3	9204350017
GK MULI 3	78	53	20	16	30	45	M20	118	0,6	9204350018
GK MULI 4	100	70	30	20	35	60	M30	118	1,2	9204350019
GK MULI 5	130	97	33	22	40	85	M36	1110	2,5	9204350020
GK JUMBO 1	120	75	45	40	60	90	M48x2	1110	4,8	9204350028
GK JUMBO 2	130	90	50	50	70	105	M56x2	1112	4,8	9204350029
GK JUMBO 3	155	105	60	60	80	120	M64x3	1112	8,0	9204350030
GK JUMBO 4	220	135	85	80	110	145	M72x3	1112	22,5	9204350031
GK JUMBO 5	300	200	100	90	120	170	M100x3	1112	31,5	9204350032

Accessories

Protection

Bellows F

Length: For each 150 mm of open length up to 1.80 m, allow 8 mm when calculating the closed length. Allow 10 mm for each 150 mm over 1.80 m. The calculated length is added to value C_3 (see page 12) as screw extension.

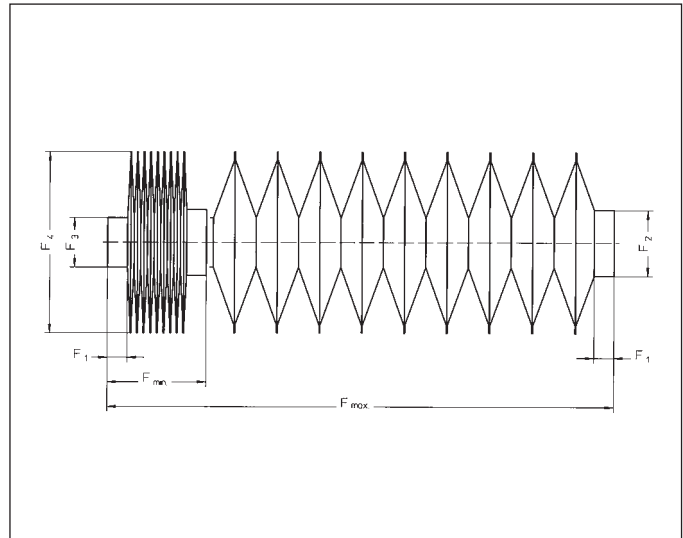
Diameter F_2 may differ on the opposite side, depending on the attachment fitted.

Important: The installation position must be specified, as internal support rings must be fitted when the jack is operated in a horizontal position. When installed vertically, bellows over 2 meters have textile tapes. The same information is also required for the second bellows when ordering version R (rotating screw).

Material: PVC-coated polyester, stitched construction. Temperature range -30 °C to 70 °C. Secured in position by clamping rings. Special versions on request.

Flat spiral spring covers SF

Available on request (refer also to the catalog Screw drives GT, KOKON).



Size		Dimensions [mm]			
		F_1	F_2	F_3	F_4
F MULI 1	N/V TGS ¹⁾	12	30	30	101
	N/V KGS ¹⁾	12	48	30	101
	R	12	30	28	101
F MULI 2	N/V TGS ¹⁾	12	39	39	113
	N/V KGS ¹⁾	12	61	39	113
	R	12	39	32	113
F MULI 3	N/V	20	46	46	127
	R	20	46	38	127
F MULI 4	N/V	20	60	60	140
	R TGS/KGS-4010	20	60	63	140
	R KGS-4005	20	60	53	140
F MULI 5	N/V	20	85	85	152
	R	20	85	72	152
F JUMBO 1	N/V	20	90	90	165
	R	20	90	85	165
F JUMBO 2	N/V	20	105	105	175
	R	20	105	95	175
F JUMBO 3	N/V	20	120	120	191
	R	20	120	105	191
F JUMBO 4	N/V	20	145	145	201
	R	20	145	130	201
F JUMBO 5	N/V	20	170	170	245
	R	20	170	160	245

¹⁾ TGS = Trapezoidal screw
KGS = Ball screw

Accessories

Protection

Limit switches with roller lever

Particularly suitable for end-position shutoff (also available in explosion-proof design).

Actuating cam 30° in accordance with DIN 69 639:

A (Minimum actuating stroke):
2.6 ± 0.5 mm

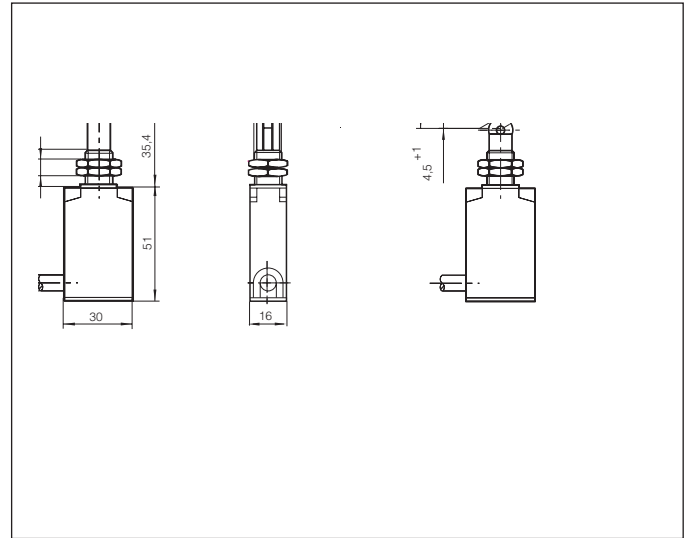
B (Differential stroke):
0.85 ± 0.25 mm

FO (Minimum switch-on force):
1 N

Ve (Approach velocity):
0.001 to 0.1 m/s

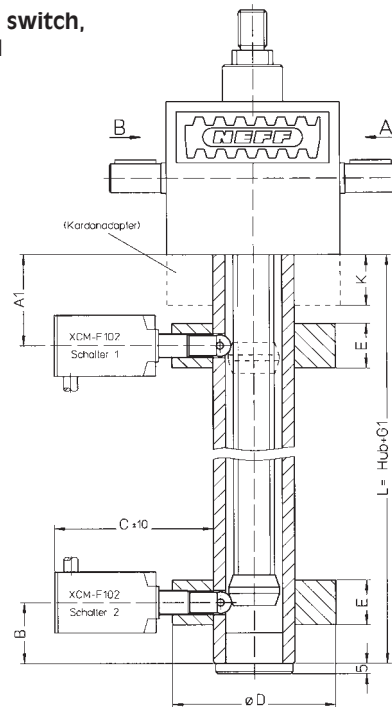
Connection:
5-core cable with PVC sheath,
1 m long
Conductor cross-section
0.75 mm²
Brown/blue: NO contact
Black/black: NC contact
Green/yellow: PE conductor
Switching capacity: NF C 63 146
(IEC 947-5-1)

Ident No. 92203259

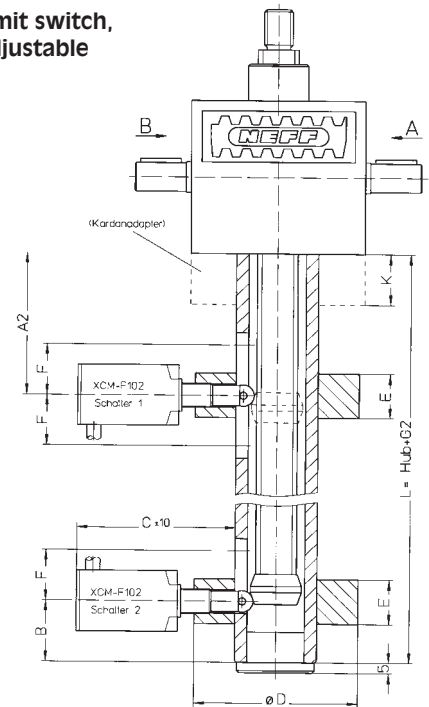


Limit switch installation position

Limit switch, fixed



Limit switch, adjustable



Size

Dimensions (mm)

Size	A1	A2	B	C	ø D	E	F	G1	G2	K
MULI 1	40	65	30	80	80	20	25	82	107	20
MULI 2	45	70	30	80	80	20	25	87	112	25
MULI 3	50	75	30	80	90	20	25	92	117	30
MULI 4	60	85	30	80	100	20	25	102	127	40
MULI 5	70	95	30	80	120	20	25	112	137	50
JUMBO 1	80	105	30	80	140	20	25	122	147	60
JUMBO 2	100	125	30	80	160	20	25	142	167	80
JUMBO 3	100	125	30	80	160	20	25	142	167	80
JUMBO 4	110	135	30	80	170	20	25	152	177	90
JUMBO 5	120	145	30	80	190	20	25	162	187	100

Drives and drive components

Safety nuts

Safety nuts SFM-TGS/KGS¹⁾

For version R: The safety nut is positioned below the travelling nut without axial load and is therefore not subjected to wear. The functioning of the safety nuts is guaranteed only when installation and applied forces are as shown in the illustration (see right). As the travelling nut wears, the distance "x" between the two nuts decreases, which provides a visual check of wear without the need for dismantling.

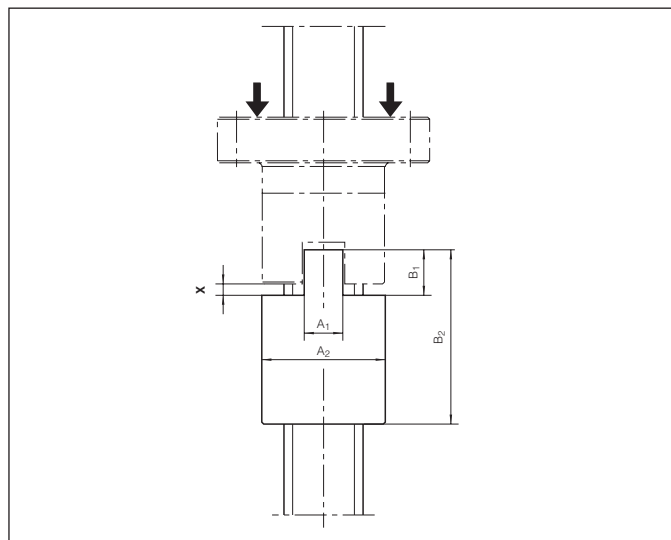
The travelling nut must be replaced when the axial play on a single-thread screw is more than $\frac{1}{4}$ of the lead of the thread (= dimension X). Otherwise, safety cannot be guaranteed.

Wear greater than $\frac{1}{4}$ of the lead of the thread can endanger persons and property.

Dimension X must be checked regularly.

The safety nut supports the load if the thread form of the travelling nut fails as a result of excessive wear (dirt, lubrication starvation, overheating, etc.). The safety nut can only be ordered together with the flanged nut (we reserve the right to make design changes).

For version N: The design is similar to that for version R. A visual check for wear is also possible in this case. **Please specify the load direction when ordering.**



Size	Dimensions [mm] (see pages 13 and 16 for dimensions of travelling nut)					Weight [kg]
	A ₁	A ₂ -0.5	B ₁	B ₂	X	
SFM MULI 1	10	28	10	44	1	0.45
SFM MULI 2	10	32	10	44	1	0.55
SFM MULI 3	12	38	10	46	1.5	0.70
SFM MULI 4	16	63	15	73	1.75	3.10
SFM MULI 5	20	72	16	97	2.25	4.30
SFM JUMBO 1	20	85	16	99	2.25	5.70
SFM JUMBO 2	25	95	20	100	2.5	11.30
SFM JUMBO 3	25	105	20	110	2.5	13.70
SFM JUMBO 4	30	130	25	130	2.5	23.30
SFM JUMBO 5	40	160	25	160	3.5	45.70

1) KGS on request.