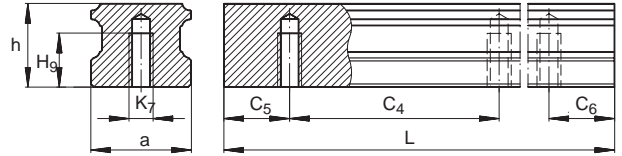


Linear Recirculating Ball Bearing And Guideway Assemblies

KUSE..L SERIES



Guideway TKSD..U for mounting from below, suffix U (example: KUSE..U)

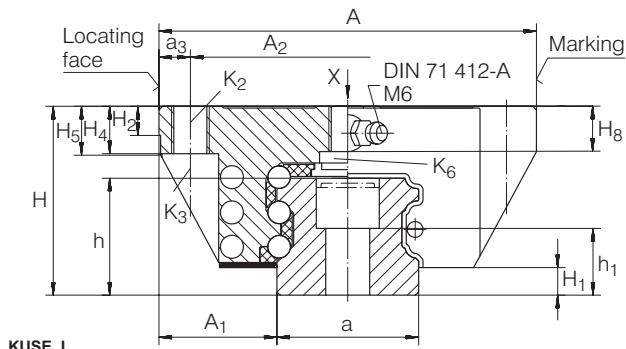
For details on part numbers, descriptive suffixes and various technical references, please refer to front of this section.

For engineering or technical information contact your local sales representative or call Distributor Sales (800)523-6572 or Linear Sales (800)462-3399.

DIMENSION TABLE - Dimensions in mm														
UNIT	Carriage		GUIDEWAY				DIMENSIONS				MOUNTING DIMENSIONS			
PART NUMBER	PART NUMBER	MASS	PART NUMBER	MASS	CLOSING PLUGS	COVERING STRIP	L ¹⁾	H	A	C ²⁾	A ₁	A ₂	a	a ₃
		kg		kg/m									-0.005 -0.03	
KUSE 20 L	KWSE 20 L	0.6	TKSD 20	2.3	KA 10 TN	ADB 13	1,980	30	63	90.8	21.5	53	20	5
KUSE 25 L	KWSE 25 L	0.82	TKSD 25	3.1	KA 11 TN	ADB 13	1,980	36	70	104	23.5	57	23	6.5
KUSE 30 L	KWSE 30 L	1.6	TKSD 30	4.4	KA 15 TN	ADB 18	2,000	42	90	118.7	31	72	28	9
KUSE 35 L	KWSE 35 L	2.1	TKSD 35	6.5	KA 15 TN	ADB 18	2,960	48	100	138.4	33	82	34	9
KUSE 45 L	KWSE 45 L	4.2	TKSD 45	11.3	KA 20 TN	ADB 23	2,940	60	120	172.2	37.5	100	45	10
KUSE 55 L	KWSE 55 L	6.6	TKSD 55	15.7	KA 24 TN	ADB 23	2,520	70	140	198	43.5	116	53	12

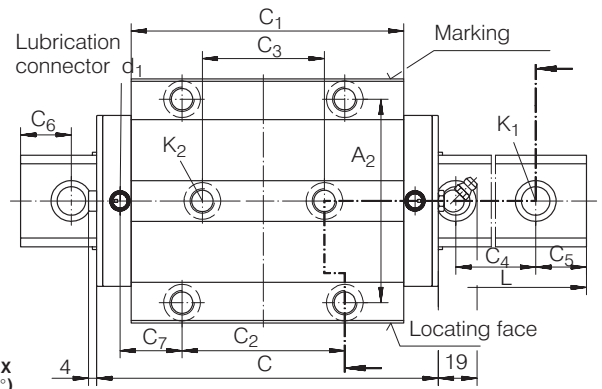
- 1) Maximum length L of single piece guideway; longer guideways are supplied as multi-piece guideways and are marked accordingly.
- 2) Minimum covered length for sealing the lubrication connections.
- 3) Dimensions C₅ and C₆ are dependent on the guideway length L.
- 4) Position of the lubrication hole in the adjacent construction.
- 5) Maximum diameter of the lubrication hole in the adjacent construction.
- 6) When mounting from above: maximum length of fixing screw for the central fixing holes H₈ +3 mm.
- 7) If there is a possibility of settling, the fixing screws should be secured against rotation.

DIAMETERS AND TIGHTENING TORQUES FOR THREADS AND SCREWS ⁷⁾										
PART NUMBER	K ₁ for screws to DIN 912-12.9		K ₂ for screws to DIN 912-12.9		K ₃ Through holes for screws to DIN 912-12.9		K ₆ Through holes for screws to DIN 7984-8.8		K ₇ for screws to DIN 912-12.9	
		Nm max.		Nm max.		Nm max.		Nm max.		Nm max.
KUSE 20 L	M5	10	M6	10	M5	10	M5	5.8	M6	17
KUSE 25 L	M6	17	M8	24	M6	17	M6	10	M6	17
KUSE 30 L	M8	41	M10	41	M8	41	M8	24	M8	41
KUSE 35 L	M8	41	M10	41	M8	41	M8	24	M8	41
KUSE 45 L	M12	140	M12	83	M10	83	M10	48	M12	140
KUSE 55 L	M14	220	M14	140	M12	140	M12	83	M14	220

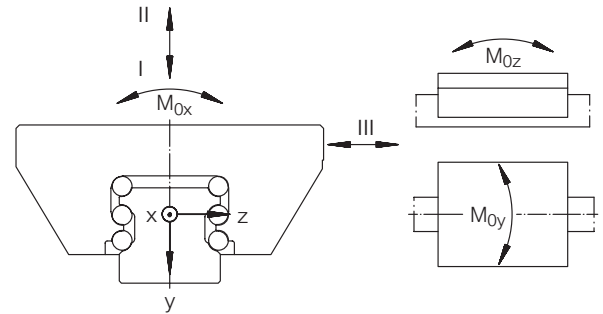


KUSE..L

KUSE..L, plan view X
(rotated through 90°)



C ₁	C ₂	C ₃	C ₄	C ₅ ³⁾		C ₆ ³⁾		C ₇ ⁴⁾	d ₁ ⁵⁾	H ₁	H ₂	H ₄	H ₅	H ₈ ⁶⁾	H ₉	h	h ₁
				min.	max.	min.	max.										
71.8	40	35	60	20	53	20	53	19.7	3	4.6	5	10	10.4	7.2	10	18	10.3
83	45	40	60	20	53	20	53	24	3	5.2	5	10	9.5	9.5	12	21.7	12.7
94.7	52	44	80	20	71	20	71	26.3	4.5	5.5	6	12	11.9	10	15	25	14
109.4	62	52	80	20	71	20	71	27.5	4.5	6.6	6.5	13	13	12	15	29.7	18.7
138.2	80	60	105	20	94	20	94	33.6	6	8.6	9	15	15.5	15	20	37.2	21.2
157.7	95	70	120	20	107	20	107	39.2	6	10.8	12	18	18.6	17	22	44	27

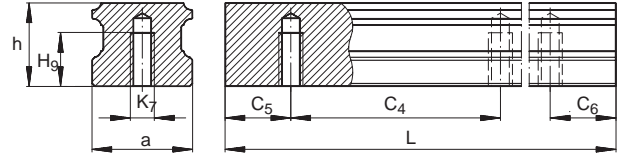


Load directions

PART NUMBER	LOAD CARRYING CAPACITY TABLE								
	BASIC LOAD RATINGS						MOMENT RATINGS		
	LOAD DIRECTION I: COMPRESSIVE LOAD		LOAD DIRECTION II: TENSILE LOAD		LOAD DIRECTION III: LATERAL LOAD		M _{0x}	M _{0y}	M _{0z}
C	C ₀	C	C ₀	C	C ₀	Nm	Nm	Nm	
kN	kN	kN	kN	kN	kN				
KUSE 20 L	28	72	22.2	46.5	18.9	50	494	619	564.6
KUSE 25 L	35.3	93.7	28.9	59.8	24.7	64	736	903	823
KUSE 30 L	51	113	42.4	84.3	36.5	90	1,265	1,478	1,346
KUSE 35 L	70	145	57.3	112.4	49.5	120	2,054	2,275	2,072
KUSE 45 L	98	236	79.3	159	69	170	3,792	4,011	3,654
KUSE 55 L	125.4	312	100.6	199.4	87	214	5,584	5,633	5,132

Linear Recirculating Ball Bearing And Guideway Assemblies

KUSE..H SERIES



Guideway TKSD..U for mounting from below, suffix U (example: KUSE..U)

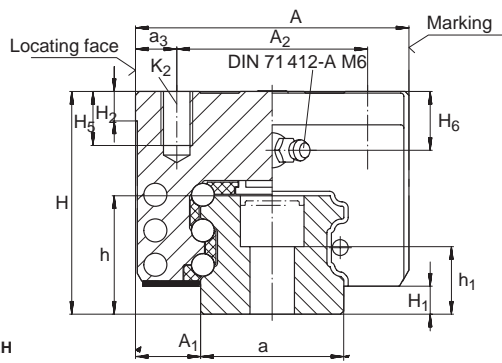
For details on part numbers, descriptive suffixes and various technical references, please refer to front of this section.

For engineering or technical information contact your local sales representative or call Distributor Sales (800)523-6572 or Linear Sales (800)462-3399.

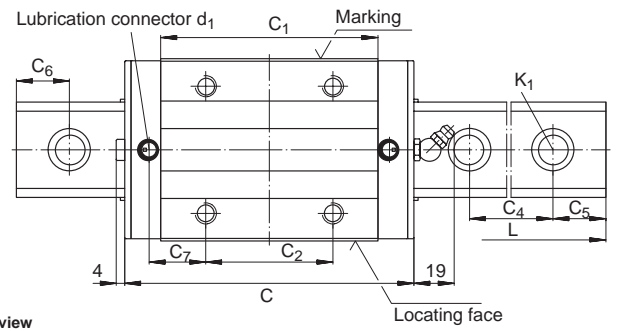
DIMENSION TABLE - Dimensions in mm														
UNIT	CARRIAGE		GUIDEWAY				DIMENSIONS				MOUNTING DIMENSIONS			
PART NUMBER	PART NUMBER	MASS	PART NUMBER	Mass	CLOSING PLUGS	COVERING STRIP	L ¹⁾	H	A	C ²⁾	A ₁	A ₂	a	a ₃
		kg		kg/m									-0.005 -0.03	
KUSE 20 H	KWSE 20 H	0.32	TKSD 20	2.3	KA 10 TN	ADB 13	1,980	30	44	71	12	32	20	6
KUSE 25 H	KWSE 25 H	0.5	TKSD 25	3.1	KA 11 TN	ADB 13	1,980	40	48	81.5	12.5	35	23	6.5
KUSE 30 H	KWSE 30 H	0.9	TKSD 30	4.4	KA 15 TN	ADB 18	2,000	45	60	91.2	16	40	28	10
KUSE 35 H	KWSE 35 H	1.3	TKSD 35	6.5	KA 15 TN	ADB 18	2,960	55	70	106.7	18	50	34	10
KUSE 45 H	KWSE 45 H	2.75	TKSD 45	11.3	KA 20 TN	ADB 23	2,940	70	86	136.5	20.5	60	45	13
KUSE 55 H	KWSE 55 H	4.5	TKSD 55	15.7	KA 24 TN	ADB 23	2,520	80	100	158	23.5	75	53	12.5

- 1) Maximum length L of single piece guideway; longer guideways are supplied as multi-piece guideways and are marked accordingly.
- 2) Minimum covered length for sealing the lubrication connections.
- 3) Dimensions C₅ and C₆ are dependent on the guideway length L.
- 4) Position of the lubrication hole in the adjacent construction.
- 5) Maximum diameter of the lubrication hole in the adjacent construction.
- 6) If there is a possibility of settling, the fixing screws should be secured against rotation.

DIAMETERS AND TIGHTENING TORQUES FOR THREADS AND SCREWS ⁶⁾						
PART NUMBER	K ₁ for screws to DIN 912-12.9		K ₂ for screws to DIN 912-12.9		K ₇ for screws to DIN 912-12.9	
		Nm max.		Nm max.		Nm max.
KUSE 20 H	M5	10	M5	10	M6	17
KUSE 25 H	M6	17	M6	17	M6	17
KUSE 30 H	M8	41	M8	41	M8	41
KUSE 35 H	M8	41	M8	41	M8	41
KUSE 45 H	M12	140	M10	83	M12	140
KUSE 55 H	M14	220	M12	140	M14	220

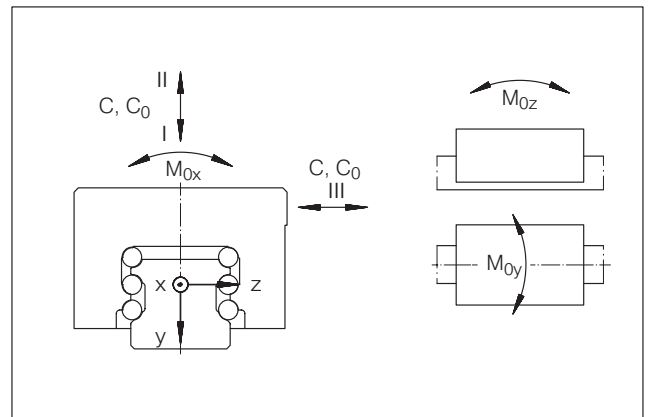


KUSE..H



KUSE..H, plan view
(rotated through 90°)

C ₁	C ₂	C ₄	C ₅ ³⁾		C ₆ ³⁾		C ₇ ⁴⁾	d ₁ ⁵⁾ max.	H ₁	H ₂	H ₅	H ₆	H ₉	h	h ₁
			min.	max.	min.	max.									
52	36	60	20	53	20	53	11.8	3	4.6	5	6.25	5.8	10	18	10.3
60.5	35	60	20	53	20	53	17.8	3	5.2	5	10	10	12	21.7	12.7
67.2	40	80	20	71	20	71	18.6	4.5	5.5	6	11	9.5	15	25	14
77.7	50	80	20	71	20	71	17.7	4.5	6.6	6.5	14	14.2	15	29.7	18.7
102.5	60	105	20	94	20	94	25.8	6	8.6	9	17	18.5	20	37.2	21.2
117.7	75	120	20	107	20	107	29.2	6	10.8	12	19	20	22	44	27

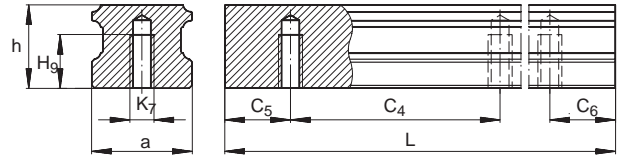


Load directions

PART NUMBER	LOAD CARRYING CAPACITY TABLE								
	BASIC LOAD RATINGS						MOMENT RATINGS		
	LOAD DIRECTION I: COMPRESSIVE LOAD		LOAD DIRECTION II: TENSILE LOAD		LOAD DIRECTION III: LATERAL LOAD		M _{0x} Nm	M _{0y} Nm	M _{0z} Nm
	C kN	C ₀ kN	C kN	C ₀ kN	C kN	C ₀ kN			
KUSE 20 H	22	52	17.5	33.5	16.3	36	358	333	303
KUSE 25 H	28	67	22.9	43	21.3	46	535	486	442
KUSE 30 H	40	80	33	60	30.5	64	896	762	694
KUSE 35 H	55	102	45	79	42	85	1,454	1,173	1,069
KUSE 45 H	80	174	65	117	59	126	2,794	2,237	2,037
KUSE 55 H	102	230	81	147	75	157	4,114	3,141	2,861

Linear Recirculating Ball Bearing And Guideway Assemblies

KUSE..HL SERIES



Guideway TKSD..U for mounting from below, suffix U (example: KUSE..U)

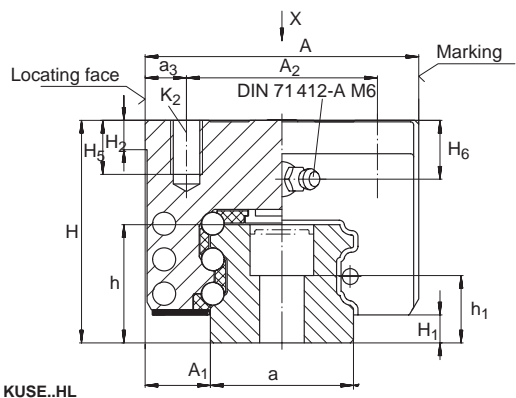
For details on part numbers, descriptive suffixes and various technical references, please refer to front of this section.

For engineering or technical information contact your local sales representative or call Distributor Sales (800)523-6572 or Linear Sales (800)462-3399.

DIMENSION TABLE - Dimensions in mm														
UNIT		CARRIAGE		GUIDEWAY			DIMENSIONS				MOUNTING DIMENSIONS			
PART NUMBER	PART NUMBER	MASS	PART NUMBER	MASS	CLOSING PLUGS	COVERING STRIP	L ¹⁾	H	A	C ²⁾	A ₁	A ₂	a	a ₃
		kg		kg/m									-0.05 -0.03	
KUSE 20 HL	KWSE 20 HL	0.44	TKSD 20	2.3	KA 10 TN	ADB 13	1,980	30	44	90.8	12	32	20	6
KUSE 25 HL	KWSE 25 HL	0.7	TKSD 25	3.15	KA 11 TN	ADB 13	1,980	40	48	104	12.5	35	23	6.5
KUSE 30 HL	KWSE 30 HL	1.2	TKSD 30	4.4	KA 15 TN	ADB 18	2,000	45	60	118.7	16	40	28	10
KUSE 35 HL	KWSE 35 HL	1.8	TKSD 35	6.5	KA 15 TN	ADB 18	2,960	55	70	138.4	18	50	34	10
KUSE 45 HL	KWSE 45 HL	3.7	TKSD 45	11.3	KA 20 TN	ADB 23	2,940	70	86	172.2	20.5	60	45	13
KUSE 55 HL	KWSE 55 HL	5.9	TKSD 55	15.7	KA 24 TN	ADB 23	2,520	80	100	198	23.5	75	53	12.5

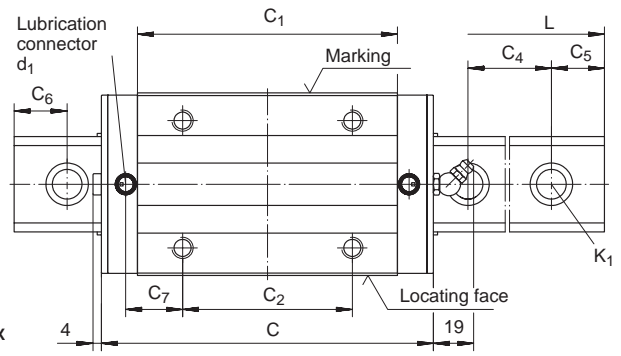
- 1) Maximum length L of single piece guideway; longer guideways are supplied as multi-piece guideways and are marked accordingly.
- 2) Minimum covered length for sealing the lubrication connections.
- 3) Dimensions C₅ and C₆ are dependent on the guideway length L.
- 4) Position of the lubrication hole in the adjacent construction.
- 5) Maximum diameter of the lubrication hole in the adjacent construction.
- 6) If there is a possibility of settling, the fixing screws should be secured against rotation.

DIAMETERS AND TIGHTENING TORQUES FOR THREADS AND SCREWS ⁶⁾						
PART NUMBER	K ₁ for screws to DIN 912-12.9		K ₂ for screws to DIN 912-12.9		K ₇ for screws to DIN 912-12.9	
		Nm max.		Nm max.		Nm max.
KUSE 20 HL	M5	10	M5	10	M6	17
KUSE 25 HL	M6	17	M6	17	M6	17
KUSE 30 HL	M8	41	M8	41	M8	41
KUSE 35 HL	M8	41	M8	41	M8	41
KUSE 45 HL	M12	140	M10	83	M12	140
KUSE 55 HL	M14	220	M12	140	M14	220

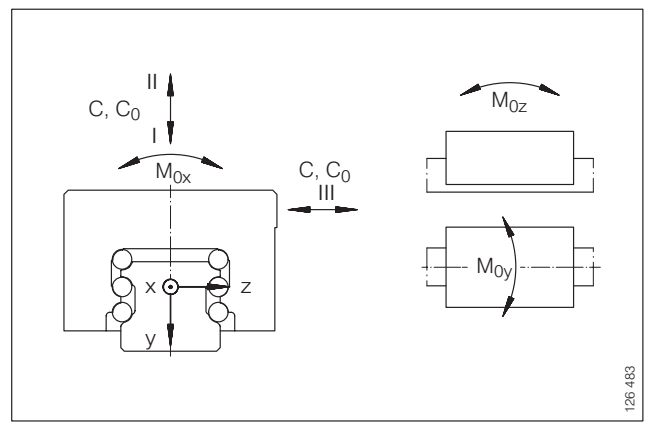


KUSE..HL

KUSE..HL, plan view X (rotated through 90°)



C ₁	C ₂	C ₄	C ₅ ³⁾		C ₆ ³⁾		C ₇ ⁴⁾	d ₁ ⁵⁾	H ₁	H ₂	H ₅	H ₆	H ₉	h	h ₁
			min	max.	min.	max.									
71.8	50	60	20	53	20	53	14.7	3	4.6	5	6.25	5.8	10	18	10.3
83	50	60	20	53	20	53	21.5	3	5.2	5	10	10	12	21.7	12.7
94.7	60	80	20	71	20	71	22.3	4.5	5.5	6	11	9.5	15	25	14
109.4	72	80	20	71	20	71	22.5	4.5	6.6	6.5	14	14.2	15	29.7	18.7
138.2	80	105	20	94	20	94	33.6	6	8.6	9	17	18.5	20	37.2	21.2
157.7	95	120	20	107	20	107	39.2	6	10.8	12	19	20	22	44	27



Load directions

PART NUMBER	LOAD CARRYING CAPACITY TABLE								
	BASIC LOAD RATINGS						MOMENT RATINGS		
	LOAD DIRECTION I: COMPRESSIVE LOAD		LOAD DIRECTION II: TENSILE LOAD		LOAD DIRECTION III: LATERAL LOAD		M _{0x}	M _{0y}	M _{0z}
C kN	C ₀ kN	C kN	C ₀ kN	C kN	C ₀ kN	Nm	Nm	Nm	
KUSE 20 HL	28	72	22.2	46.5	18.9	50	494	619	564
KUSE 25 HL	35.3	93.7	28.9	59.8	24.7	64	736	903	823
KUSE 30 HL	51	113	42.4	84.3	36.5	90	1,265	1,478	1,346
KUSE 35 HL	70	145	57.3	112.4	49.5	120	2,054	2,275	2,072
KUSE 45 HL	98	236	79.3	159	69	170	3,792	4,011	3,654
KUSE 55 HL	125.4	312	100.6	199.4	87	214	5,584	5,633	5,132