

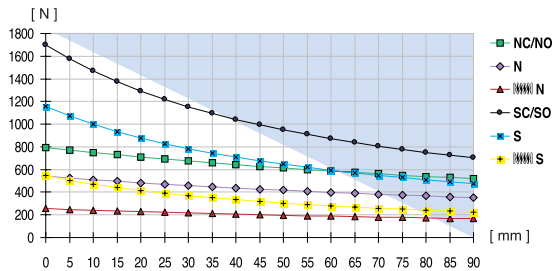
Parallel gripper	Three-jaw gripper	Angle gripper	Internal-hole gripper	Other grippers	Electric gripper			
GD304	GD306	GD308	GD310	GD312	GD316	GD320	Pressing star	Universal jaw

Three-jaw gripper

with T-slot guide

Advantages, benefits, comparisons and tips!
Stacks of information all about this product are on page 103.

Gripping force as a function of jaw length

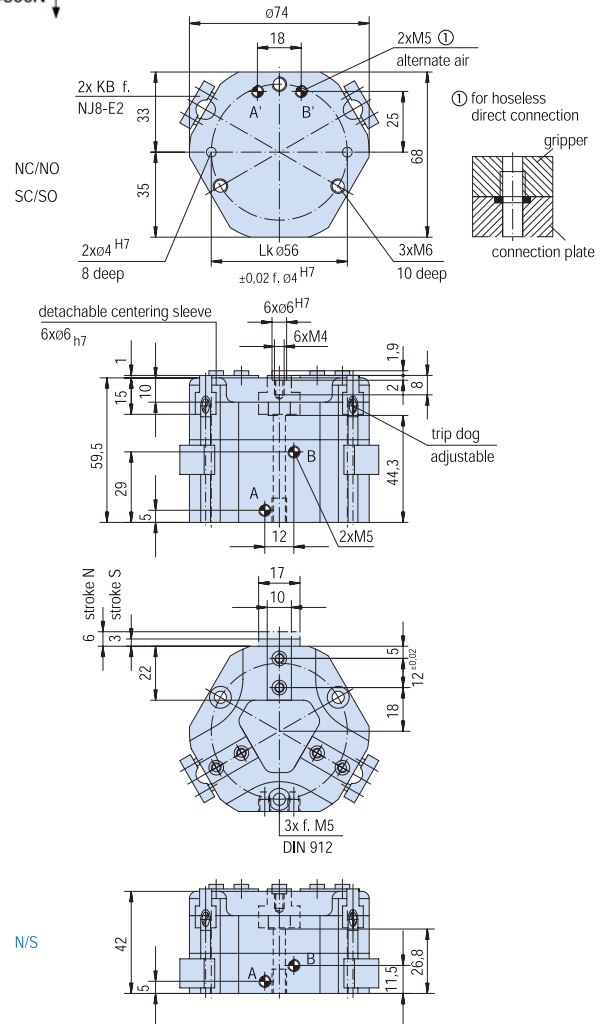
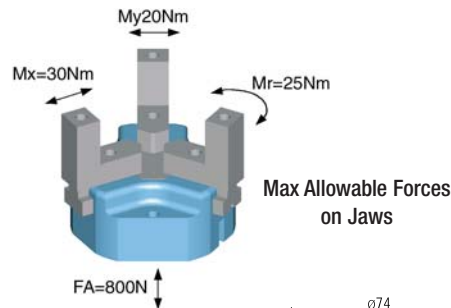


Colored area: increased wear and tear to be expected

Order no.:					
GD306 N	GD306 NC	GD306 NO	GD306 S	GD306 SC	GD306 SO
Drive:					
pneum.	pneum.	pneum.	pneum.	pneum.	pneum.
Stroke per jaw [mm]:					
6	6	6	3	3	3
Gripping force in closing and opening [N]:					
550	-	-	1150	-	-
Gripping force in closing [N]:					
-	800	-	-	1700	-
Gripping force in opening [N]:					
-	-	800	-	-	1700
Self-locking via:					
DSV1/8	Spring	Spring	DSV1/8	Spring	Spring
Closing time/opening time [s]:					
0,06	0,08	0,08	0,06	0,08	0,08
Repeatability ± [mm]:					
0,05	0,05	0,05	0,05	0,05	0,05
Min./max. operating pressure [bar]:					
3 / 8	5 / 8	5 / 8	3 / 8	5 / 8	5 / 8
Air volume per cycle [cm³]:					
18	40	40	18	40	40
Min./max. operating temperature [°C]:					
5 / 80	5 / 80	5 / 80	5 / 80	5 / 80	5 / 80
Temp. resistant version up to 150° C [add to part number]:					
T2	T2	T2	T2	T2	T2
Piston diameter [mm]:					
40	40	40	40	40	40
Weight [kg]:					
0,6	0,7	0,7	0,6	0,7	0,7

All data measured at 6 bar.

See Page 103 for Accessory list.
Pressing star available (see page 111).



N/S