

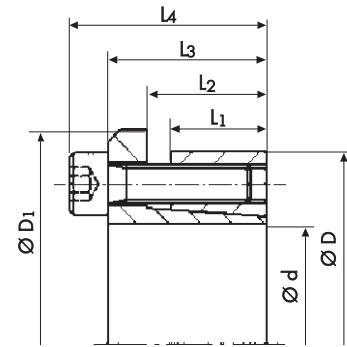
Locking Assembly PSV 2006.3



Advantages

- no axial movement during installation

Shaft sizes up to 150 mm
Torque up to 25.600 Nm



Technical Data and Dimensions

Locking Assembly Dimensions							Trans- missible Torque T Nm	Axial Force F_{ax} kN	Contact surface pressure between locking assembly and Shaft		Locking screws G DIN 912	Tightening torque of screws T_A Nm
$\varnothing d$ mm	$\varnothing D$ mm	$\varnothing D_1$ mm	L_1 mm	L_2 mm	L_3 mm	L_4 mm			P_w N/mm ²	P_N N/mm ²		
19	47	56	17	22	28	34	270	30	220	90	M6	17
20	47	56	17	22	28	34	280	30	220	90	M6	17
22	47	56	17	22	28	34	310	30	200	90	M6	17
24	50	59	17	22	28	34	400	30	220	110	M6	17
25	50	59	17	22	28	34	440	30	210	110	M6	17
28	55	64	17	22	28	34	490	30	200	100	M6	17
30	55	64	17	22	28	34	530	30	190	100	M6	17
32	60	69	17	22	28	34	760	50	210	110	M6	17
35	60	69	17	22	28	34	820	50	190	110	M6	17
38	65	74	17	22	28	34	890	50	190	110	M6	17
40	65	74	17	22	28	34	940	50	190	100	M6	17
45	75	84	20	25	33	41	1.700	60	230	130	M8	41
50	80	84	20	25	33	41	1.900	90	210	130	M8	41
55	85	94	20	25	33	41	2.400	90	210	130	M8	41
60	90	99	20	25	33	41	2.700	90	190	120	M8	41
65	95	104	20	25	33	41	3.200	90	200	130	M8	41
70	110	119	24	30	40	50	4.900	120	220	140	M10	83
75	115	124	24	30	40	50	5.200	120	200	130	M10	83
80	120	129	24	30	40	50	5.500	120	190	120	M10	83
85	125	134	24	30	40	50	6.600	130	200	130	M10	83
90	130	139	24	30	40	50	7.000	130	190	130	M10	83
95	135	144	24	30	40	50	8.200	130	200	140	M10	83
100	145	154	26	32	44	56	10.100	170	210	150	M12	145
110	155	164	26	32	44	56	11.000	170	190	140	M12	145
120	165	174	26	32	44	56	13.600	200	210	140	M12	145
130	180	189	34	40	52	64	19.000	270	190	140	M12	145
140	190	199	34	40	54	68	21.800	270	180	130	M14	230
150	200	209	34	40	54	68	25.600	320	190	140	M14	230

Additional diameters available upon request. Technical Specifications subject to change without notice.

Order data:

20 x 47 PSV 2006.3
d x D Type

Applications

- sprockets
- conveying equipment
- conveyor drums
- pulleys
- similar applications requiring a strong and economical connection

Technical Details

- self-centering
- tolerances H8/h8
- surface roughness R_a max 16 μ m for shaft and hub